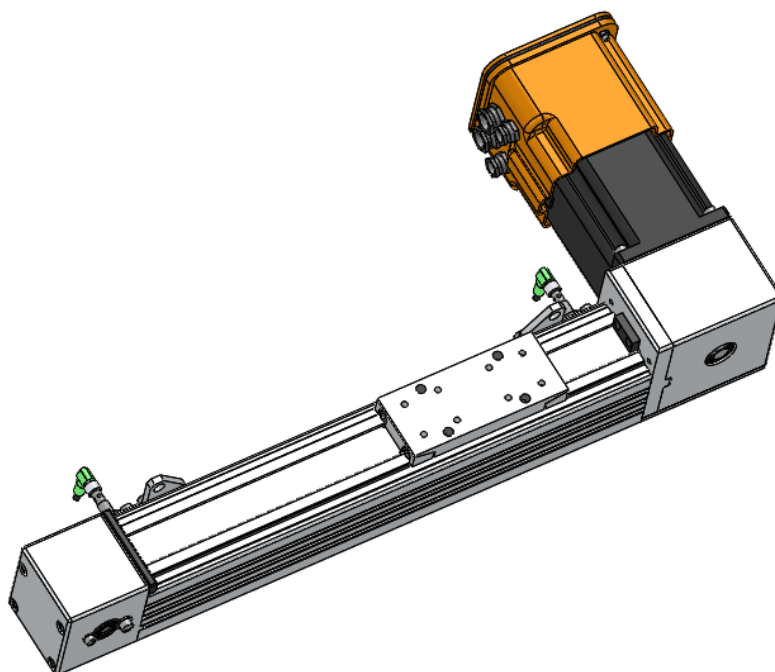
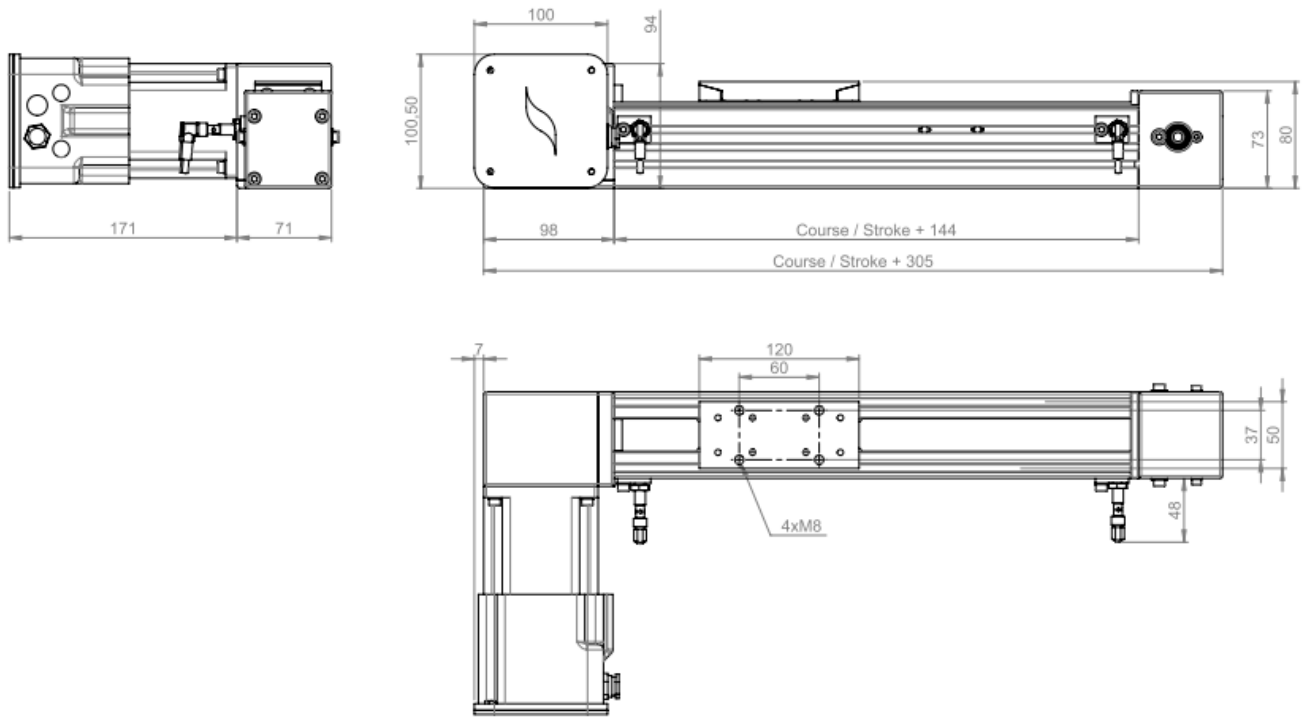


# Fast inkjet head movement SGRP65 with integrated electronics



## Design and characteristic features

- Built in compact anodized aluminium profile.
  - The guidance is provided by an integrated profiled rail size 15. The central cross table is mounted on two sealed guide system with four balls rows.
  - Friction reduced to a minimum. Stroke up to 2500 mm max.
  - Speed up to 2 m/sec.
  - Acceleration up to 10 m/s<sup>2</sup>.
  - Operating temperature between 0 et 70°C.
  - A toothed belt 24 AT 5 moves the cross table.
  - Two external non-contact inductive limit switches are set to the stroke.
  - Many accessories can be mounted on the cross table to fix the inkjet head according to the condition of use.
- 
- Motorization with integrated programmable electronics
  - 2 inputs : home and cycle start . Local control by two buttons in the connection box
  - 2 outputs : Top print, Reverse print /end of cycle. Visualization by leds in the connection box



## Summary of possibilities

- Programming via USB connection , Use of a PC computer
- Parameters and program ars stored in non-volatile memory
- The parameters to be defined are
  - Movement parameter: start position end position, forward and backward speed (from 0.2 to 1.5 m/s) acceleration from 5 m/s<sup>2</sup> to 10 m/s<sup>2</sup>.
  - Movement forward and backward with one or two start cycle
  - One Top Printing on forward and backward, position adjusted at constant speed

## Wiring

- Cable entry through 3 cable glands, 2 for 9 mm diameter cable, 1 for 6 mm diameter cable.
- Connection of the wire on internal terminal block ( section 1<sup>2</sup> max)

## Characteristics

- **2 x inputs 24V (PNP)**
  - 1 for Home
  - 1 for Start Cycle
  - local control by two button in the connection box
- **2 x Output 0V (NPN)**
  - Top Print
  - Reverse print / end of cycle
  - Local visualisation by leds in the connection box
- **Power**
  - Integrated stepper motor located in the control box 4A under 24Vcc
  - External power supply 240V/24Vcc 5A provided, need to be integrated in the customer cabinet.